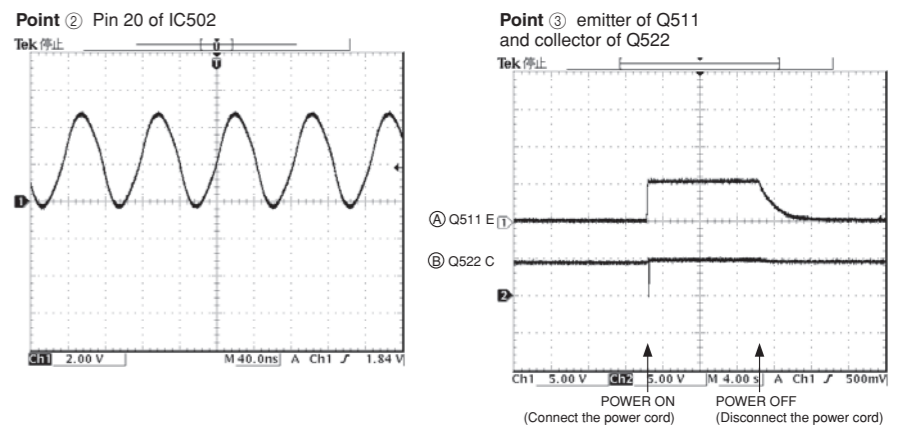
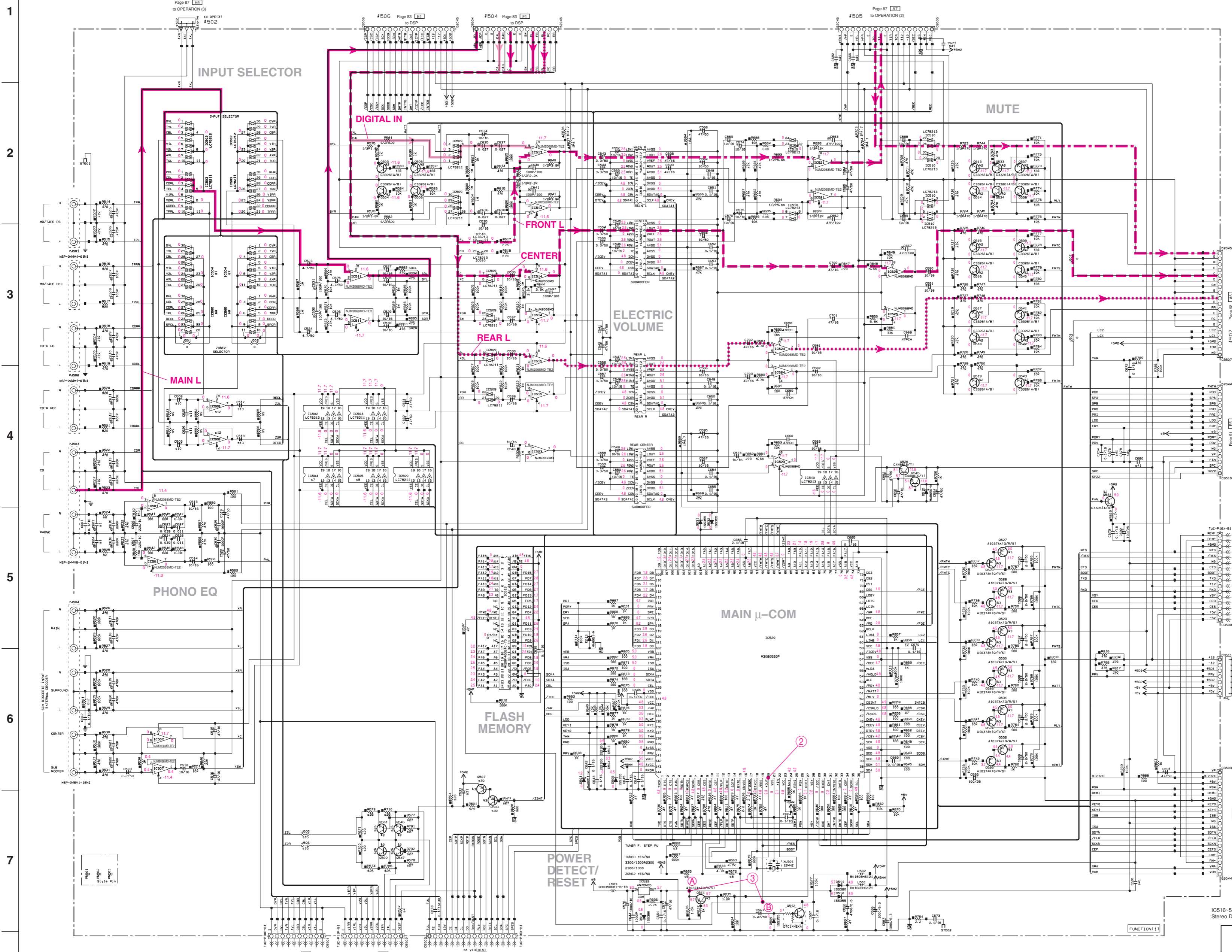


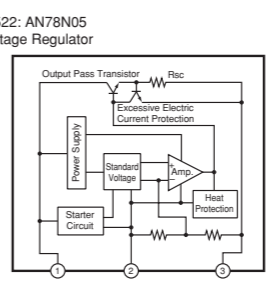
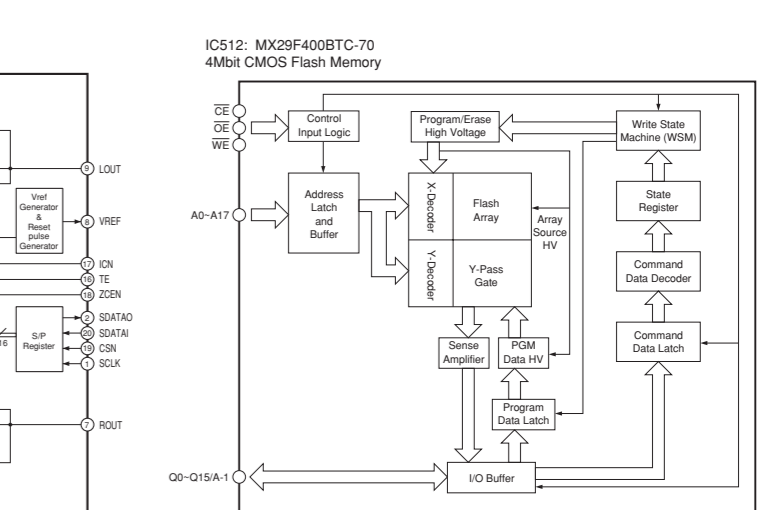
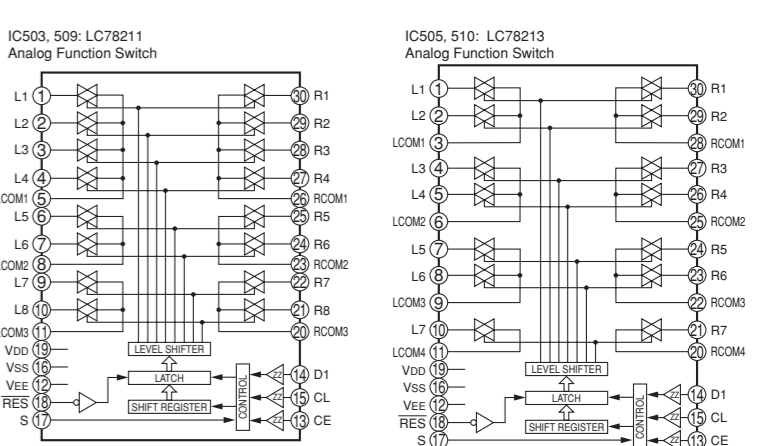
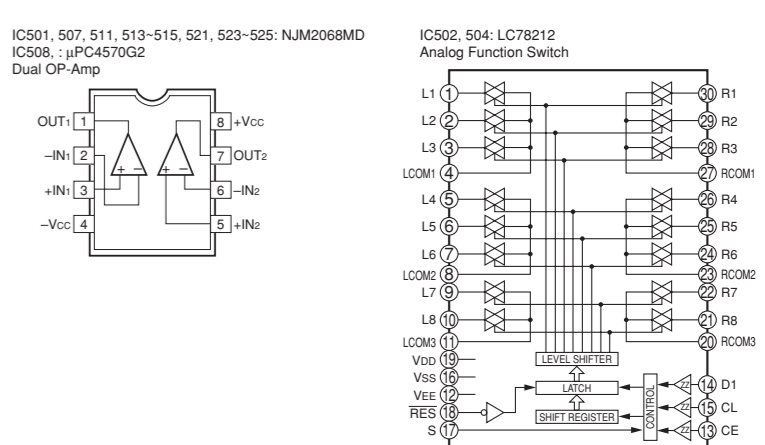
SCHEMATIC DIAGRAM (FUNCTION) RX-V1300/RX-V1300RDS/HTR-5590/DSP-AX1300

RX-V2300/DSP-AX2300/RX-V1300/RX-V1300RDS/HTR-5590/DSP-AX1300



IC Part No.	QTY	Part No.	Part Name	Remarks
1	1	IC501	501-511-513-515, 521, 523-525: NJM2068MD	Dual OP-Amp
2	1	IC502	504: LC78212	Analog Function Switch
3	1	IC503	509: LC78211	Analog Function Switch
4	1	IC505	510: LC78213	Analog Function Switch
5	1	IC516-519, 526	YAC520-EE2	Stereo Digital Volume Controller
6	1	IC522	AN78N05	Voltage Regulator
7	1	IC525	MX29F400BTC-70	4Mbit CMOS Flash Memory

* NOT USED
○ USED / APPLICABLE



NOTICE (mode1)
 (J) JAPAN
 (U) U.S.A.
 (C) CANADA
 (R) GENERAL
 (T) CHINA
 (K) KOREA
 (A) AUSTRALIA
 (B) BRITISH
 (G) EUROPE
 (L) SINGAPORE

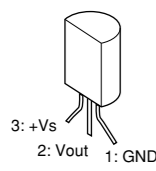
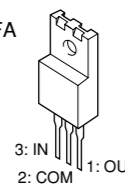
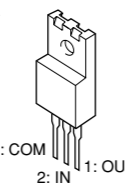
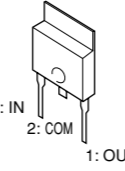
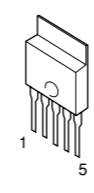
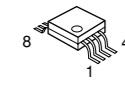
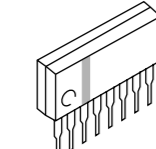
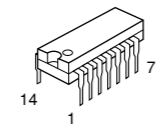
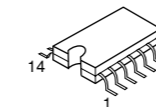
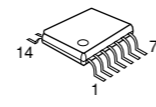
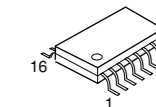
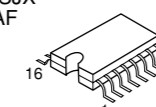
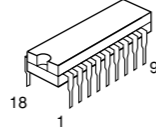
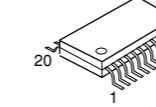
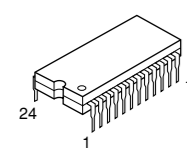
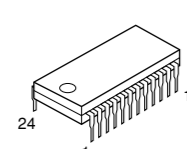
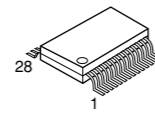
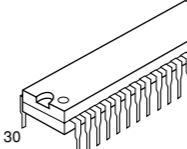
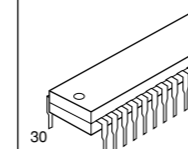
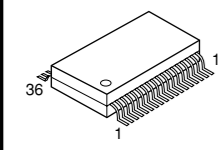
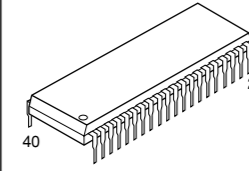
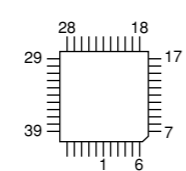
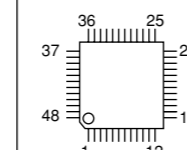
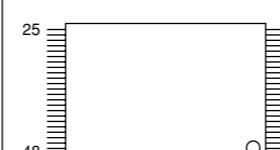
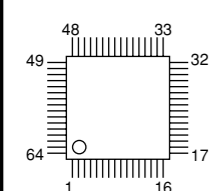
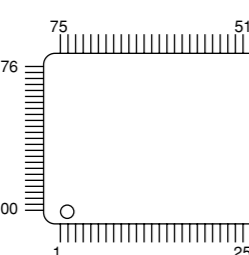
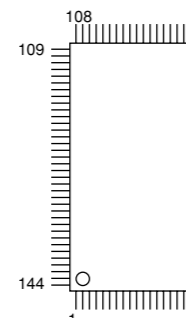
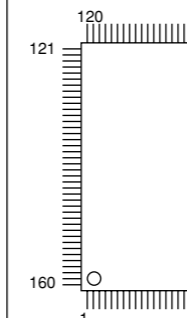
Part No.	Part Name	Remarks
1	NO MARK ELECTROLYTIC CAPACITOR	
2	TANTALUM CAPACITOR	
3	NO MARK CERAMIC CAPACITOR	
4	CERAMIC TUBULAR CAPACITOR	
5	POLYESTER FILM CAPACITOR	
6	POLYPROPYLENE FILM CAPACITOR	
7	MICA CAPACITOR	
8	POLYPROPYLENE FILM CAPACITOR	
9	SEMICONDUCTIVE CERAMIC CAPACITOR	
10	POLYPHENYLENE SULFIDE FILM CAPACITOR	

Part No.	Part Name	Remarks
1	NO MARK CARBON FILM RESISTOR (P1)	
2	CARBON FILM RESISTOR (P10)	
3	METAL OXIDE FILM RESISTOR	
4	METAL PLATE RESISTOR	
5	FINE PITCH CARBON FILM RESISTOR	
6	CEMENT MOLDED RESISTOR	
7	SEMI-VARIABLE RESISTOR	
8	CHIP RESISTOR	

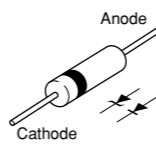
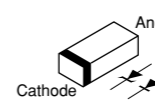
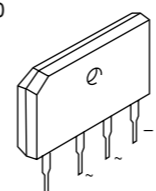
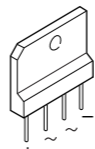
- * All voltages are measured with a 10MΩ/V DC electric volt meter.
- * Components having special characteristics are marked (A) and must be replaced with parts having specifications equal to those originally installed.
- * Schematic diagram is subject to change without notice.
- 電圧は、内部抵抗10MΩの電圧計で測定したものです。
- (A)印のある部品は、安全性確保部品を示しています。部品の交換が必要な場合、パーツリストに記載されている部品を使用してください。
- 本回路図は標準回路図です。改良のため予告なく変更することがございます。

■ PIN CONNECTION DIAGRAM



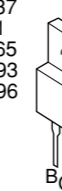
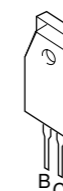
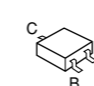
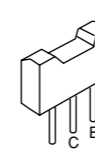
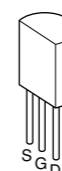
• ICs

<p>LM61CIZ</p>  <p>3: +Vs 2: Vout 1: GND</p>	<p>AN78N05 NJM7805FA NJM78M12FA</p>  <p>3: IN 2: COM 1: OUT</p>	<p>NJM79M05FA NJM79M12FA</p>  <p>3: COM 2: IN 1: OUT</p>	<p>μPC29M33T-E1</p>  <p>3: IN 2: COM 1: OUT</p>	<p>PQ025EZ5MZP</p>  <p>1 5</p>
<p>NJM2068MD NJM2904M TK15420M μPC4570G2</p>  <p>8 4 1</p>	<p>NJM4556AL</p>  <p>8</p>	<p>TC4066BP</p>  <p>14 1 7</p>	<p>TC74HCT00AF TC74HCU04AF TC74HCT08AF</p>  <p>14 1 7</p>	<p>NJM2581M TC4066BF-T1</p>  <p>14 1 7</p>
<p>ADM202JRN-REEL7 LA7108M M62320FP</p>  <p>16 1 8</p>	<p>MM74HC4051N MM74HC4051SJX MM74HC4053N MM74HC4053SJX TC74HC4052AF</p>  <p>16 1 8</p>	<p>BU2092</p>  <p>18 1 9</p>	<p>CS4392-KZR CS5360-KSR YAC520-EE2</p>  <p>20 1 10</p>	
<p>LC72722</p>  <p>24 1 12</p>	<p>LC74781-9798</p>  <p>24 1 12</p>	<p>CY62256LL</p>  <p>28 1 14</p>	<p>LC78211 LC78213</p>  <p>30 1 15</p>	<p>LC78212</p>  <p>30 1 15</p>
<p>LA7109</p>  <p>36 1 18</p>	<p>MSM514260E-60JS</p>  <p>40 1 20</p>	<p>CS493292-CLR</p>  <p>28 18 17 29 39 40 44 6 7</p>	<p>CS4382-KQR</p>  <p>36 25 24 37 48 1 12 13</p>	<p>MX29F400BTC-70</p>  <p>25 24 48 1</p>
<p>M66003-0101FP</p>  <p>48 33 32 49 64 1 16 17</p>	<p>XC9572XL-10TQ100C</p>  <p>75 51 50 76 100 1 25 26</p>	<p>M30805SGP</p>  <p>108 73 72 109 144 1 36 37</p>	<p>YSS938-F</p>  <p>120 81 80 121 160 1 40 41</p>	

• Diodes

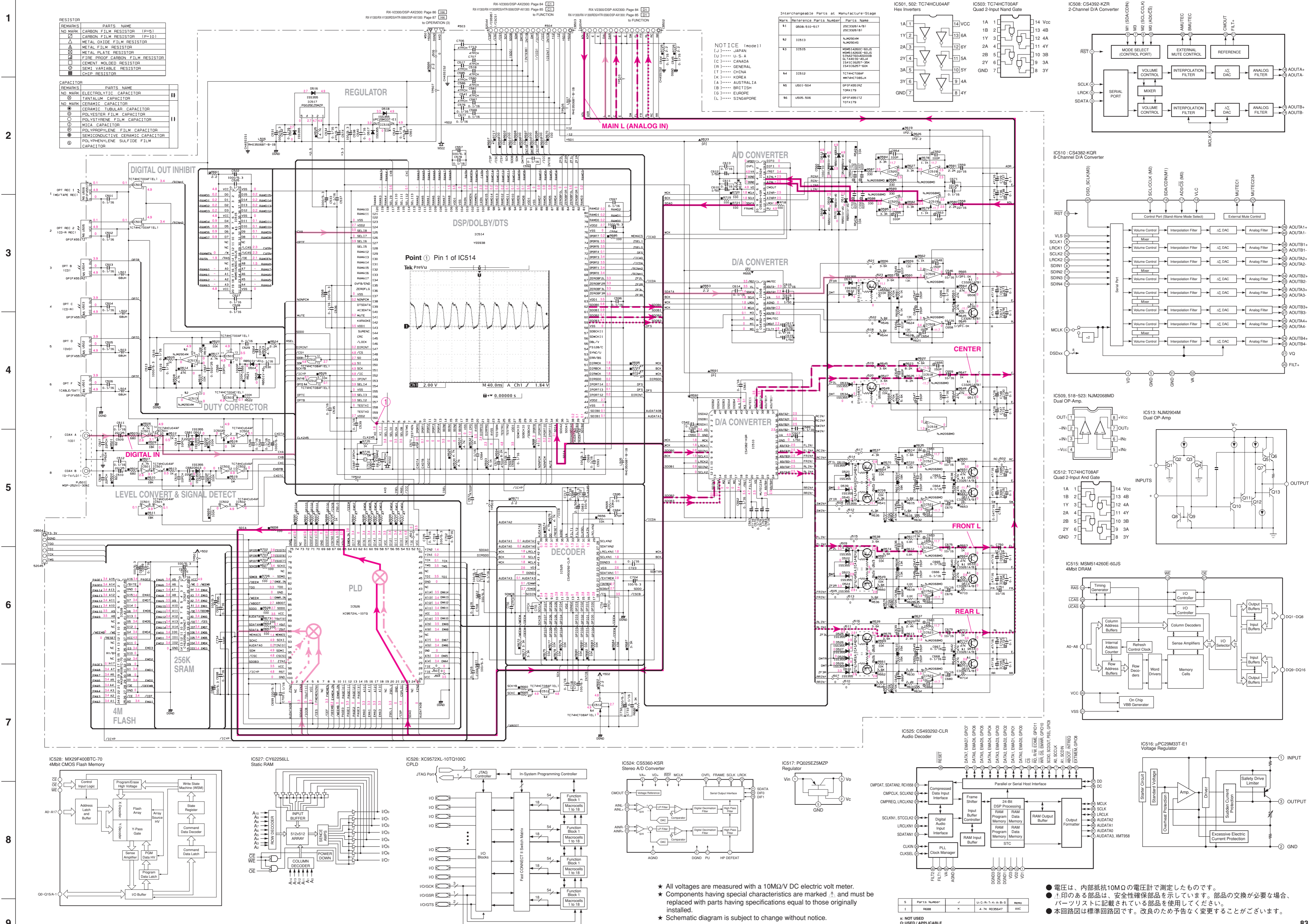
<p>1N4002S 1SS133 1SS270A 1T2</p>  <p>Anode Cathode</p>	<p>MTZJ4.7C MTZJ5.1A MTZJ6.2C MTZJ9.1A MTZJ10.0A MTZJ10.0B MTZJ12.0C MTZJ20.0C MTZJ24.0C MTZJ33.0B</p>	<p>1SS355 1SS380 MA8051-M MA8056-M MA8068-H MA8082-H RB501V-40 UDZS5.6BTE-17</p>  <p>Anode Cathode</p>
<p>D2SBA20</p> 	<p>D15XB20</p> 	

• Transistors

<p>2SA893A 2SA970 2SA1015 2SB949 2SC535 2SC1815 2SC1890A 2SC2240 2SC2878</p>  <p>E C B</p>	<p>2SC1740S 2SD1915F</p>  <p>E C B</p>	<p>2SA1837 2SB941 2SB1565 2SC4793 2SD2396</p>  <p>B C E</p>	<p>2SA1492 2SC3856</p>  <p>B C E</p>
<p>2SA1037K 2SC2412K 2SC3326 DTA144EKA DTC144EKA</p>  <p>C E B</p>	<p>2SA1708 2SC4488</p>  <p>E C B</p>	<p>2SK246</p>  <p>S G D</p>	

SCHEMATIC DIAGRAM (DSP)

RX-V2300/DSP-AX2300/RX-V1300/RX-V1300RDS/HTR-5590/DSP-AX1300

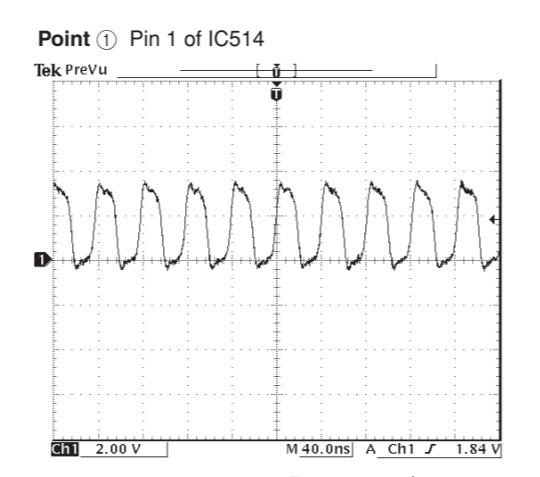


REMARKS	PARTS NAME
RESISTOR	CARBON FILM RESISTOR (P=5)
RESISTOR	CARBON FILM RESISTOR (P=10)
RESISTOR	METAL OXIDE FILM RESISTOR
RESISTOR	METAL FILM RESISTOR
RESISTOR	METAL PLATE RESISTOR
RESISTOR	FILM PROOF CARBON FILM RESISTOR
RESISTOR	CEMENT MOLDED RESISTOR
RESISTOR	SEMI-VARIABLE RESISTOR
RESISTOR	CHIP RESISTOR

REMARKS	PARTS NAME
CAPACITOR	ELECTROLYTIC CAPACITOR
CAPACITOR	TANTALUM CAPACITOR
CAPACITOR	CERAMIC CAPACITOR
CAPACITOR	CERAMIC TUBULAR CAPACITOR
CAPACITOR	POLYESTER FILM CAPACITOR
CAPACITOR	POLYSTYRENE FILM CAPACITOR
CAPACITOR	MICA CAPACITOR
CAPACITOR	POLYPROPYLENE FILM CAPACITOR
CAPACITOR	SEMICONDUCTIVE CERAMIC CAPACITOR
CAPACITOR	POLYETHYLENE SULFIDE FILM CAPACITOR

NOTICE (model)

- (J) JAPAN
- (U) U.S.A.
- (C) CANADA
- (R) GENERAL
- (T) CHINA
- (K) KOREA
- (A) AUSTRALIA
- (B) BRITISH
- (E) EUROPE
- (L) SINGAPORE



1
2
3
4
5
6
7
8
9

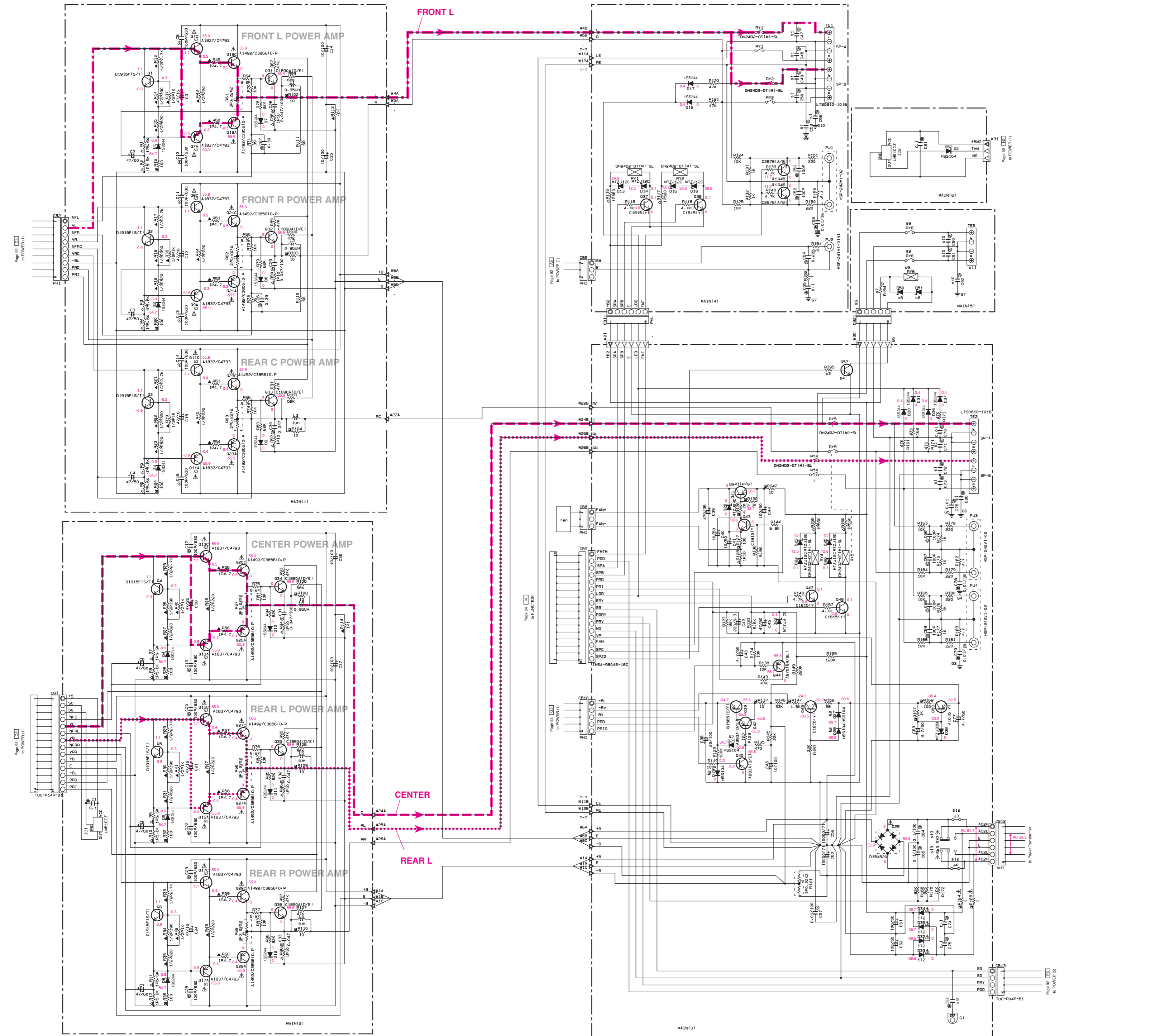
★ All voltages are measured with a 10MΩ/V DC electric volt meter.
★ Components having special characteristics are marked with a triangle and must be replaced with parts having specifications equal to those originally installed.
★ Schematic diagram is subject to change without notice.

● 電圧は、内部抵抗10MΩの電圧計で測定したものです。
● 1印のある部品は、安全性確保部品を示しています。部品の交換が必要な場合、パーツリストに記載されている部品を使用してください。
● 本回路図は標準回路図です。改良のため予告なく変更することがございます。

S	Part Number	J	U	C	R	T	K	A	B	S	REG
1	RES										

★ NOT USED
○ USED / APPLICABLE

SCHEMATIC DIAGRAM (MAIN) RX-V2300/DSP-AX-2300



RESISTOR

REMARKS	PARTS NAME
NO MARK	CARBON FILM RESISTOR (P=5)
△	CARBON FILM RESISTOR (P=10)
□	METAL OXIDE FILM RESISTOR
▲	METAL FILM RESISTOR
⊠	METAL PLATE RESISTOR
■	FIRE PROOF CARBON FILM RESISTOR
□	CEMENT MOLDED RESISTOR
○	SEMI VARIABLE RESISTOR
■	CHIP RESISTOR

CAPACITOR

REMARKS	PARTS NAME
NO MARK	ELECTROLYTIC CAPACITOR
⊗	TANTALUM CAPACITOR
NO MARK	CERAMIC CAPACITOR
⊙	CERAMIC TUBULAR CAPACITOR
⊖	POLYESTER FILM CAPACITOR
○	POLYSTYRENE FILM CAPACITOR
⊕	MICA CAPACITOR
⊖	POLYPROPYLENE FILM CAPACITOR
⊙	SEMICONDUCTIVE CERAMIC CAPACITOR

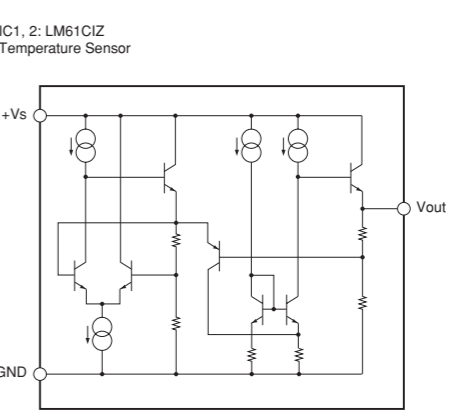
NOTICE (mode1)
 (J)..... JAPAN
 (U)..... U.S.A
 (C)..... CANADA
 (R)..... GENERAL
 (T)..... CHINA
 (K)..... KOREA
 (A)..... AUSTRALIA
 (B)..... BRITISH
 (G)..... EUROPE
 (L)..... SINGAPORE

PART NO.	DSP-AK2300		RX-V2300	
	U-C	R.T.K	U-C	R.T.K
s1	C47, C48, C49, C50, C53, C56, C71, C72, C73, C80	x	x	0.01 U465410 0.01 U465410
s3	R195	x	4.7k WF2547	x 4.7k WF2547
s4	D07	x	C18151V1 IC18151	x C18151V1 IC18151
s5	R30	x	V992050	x V992050
s6	CB21	x	L891805 L8960	x L891805 L8960
s7	R194	x	V94930 V94930	x V94930 V94930
s8	D50, D51	x	V54430 V54430	x V54430 V54430
s9	R16	x	DH242-OT1M1-SL V532260	x DH242-OT1M1-SL V532260
s10	C90, C91, C92	x	x	x 0.01 U465410
s11	TE5	x	L150410-3012 L150410	x L150410-3012 L150410
s12	J7, J4	o	x	x
s13	R33	x	SL138-022-AMCS V410400	x SL138-022-AMCS V410400
s14	R102, 103	H/T	HV75347 HV75347	x HV75347 HV75347
s15	CB2	x	x	x 0.1 V259510

x: NOT USED
 o: USED / APPLICABLE

Interchangeable Parts at Manufacture-Stage

Part No.	Reference Parts Number	Parts Name
s1	045, 46	25C28781A/01 25D1915F15/11
s2	D19, 21, 27, 28, 52	H55104 15S133 15S176
s3	07, 9, 11, 13, 15, 17	A1837C4793 A1855AC4834

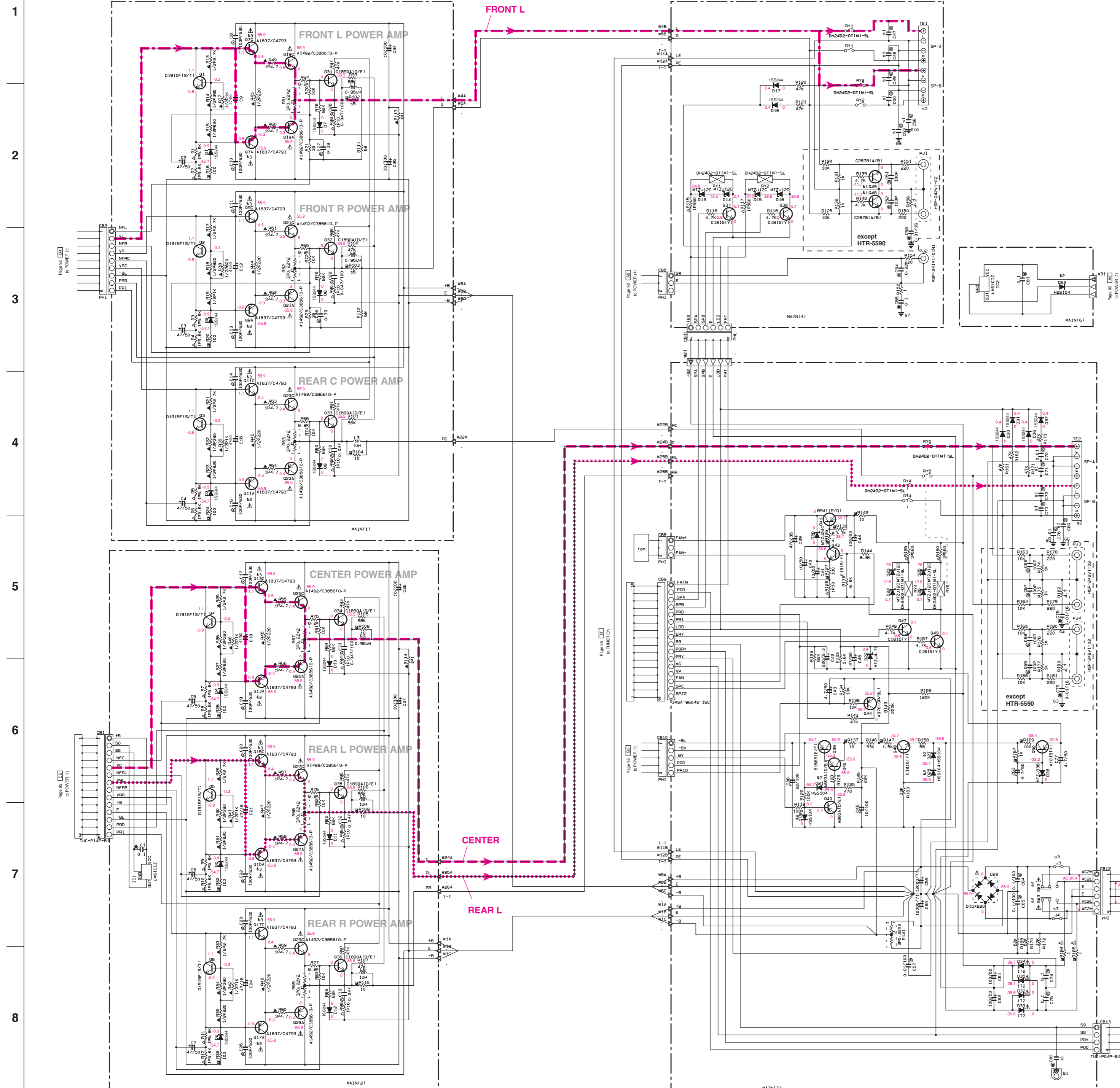


★ All voltages are measured with a 10MΩ/V DC electric volt meter.
 ★ Components having special characteristics are marked △ and must be replaced with parts having specifications equal to those originally installed.
 ★ Schematic diagram is subject to change without notice.

● 電圧は、内部抵抗10MΩの電圧計で測定したものです。
 ● △印のある部品は、安全性確保部品を示しています。部品の交換が必要な場合、パーツリストに記載されている部品を使用してください。
 ● 本回路図は標準回路図です。改良のため予告なく変更することがございます。

■ SCHEMATIC DIAGRAM (MAIN) RX-V1300/RX-V1300RDS/HTR-5590/DSP-AX1300

RX-V2300/DSP-AX2300/RX-V1300/RX-V1300RDS/HTR-5590/DSP-AX1300



RESISTOR

REMARKS	PARTS NAME
NO MARK	CARBON FILM RESISTOR (P=5)
□	CARBON FILM RESISTOR (P=10)
△	METAL OXIDE FILM RESISTOR
▲	METAL FILM RESISTOR
⊠	METAL PLATE RESISTOR
■	FIRE PROOF CARBON FILM RESISTOR
□	CEMENT MOLDED RESISTOR
⊕	SEMI VARIABLE RESISTOR
■	CHIP RESISTOR

CAPACITOR

REMARKS	PARTS NAME
NO MARK	ELECTROLYTIC CAPACITOR
⊗	TANTALUM CAPACITOR
NO MARK	CERAMIC CAPACITOR
⊙	CERAMIC TUBULAR CAPACITOR
○	POLYESTER FILM CAPACITOR
○	POLYSTYRENE FILM CAPACITOR
⊙	MICA CAPACITOR
⊙	POLYPROPYLENE FILM CAPACITOR
●	SEMICONDUCTIVE CERAMIC CAPACITOR

NOTICE (mode)

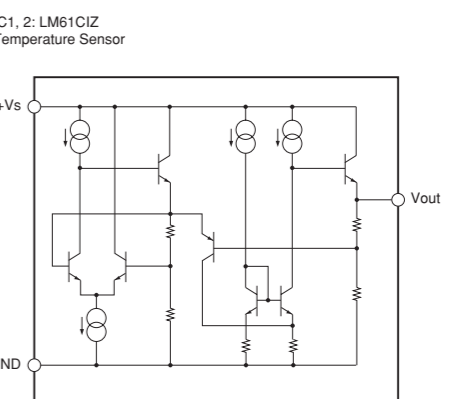
(J)..... JAPAN
 (U)..... U.S.A
 (C)..... CANADA
 (R)..... GENERAL
 (T)..... CHINA
 (K)..... KOREA
 (A)..... AUSTRALIA
 (B)..... BRITISH
 (G)..... EUROPE
 (L)..... SINGAPORE

	DSP-AX1300	RX-V1300RDS	RX-V1300RDS
R1	C47, C48, C49, C50	U-C	R, T, K, A
R2	C53, C56, C71, C72, C73, C80	X	Q, S1, U455410
R3	L75010-1016	L75010-1016	L75010-1016
R4	V949900	V949900	V949900
R5	J3-J4	X	X
R6	SW3	SL138-022-AMCS	SL138-022-AMCS
R7	R102-103	V210420	V210420
R8	C82	10	4.7
R9		HY75410	HY75410
R10		V, S9910	V, S9910

X: NOT USED
 O: USED / APPLICABLE

Interchangeable Parts at Manufacture-Stage

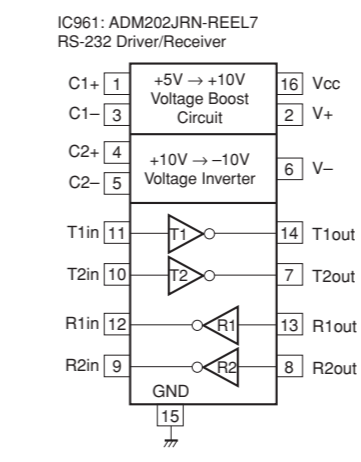
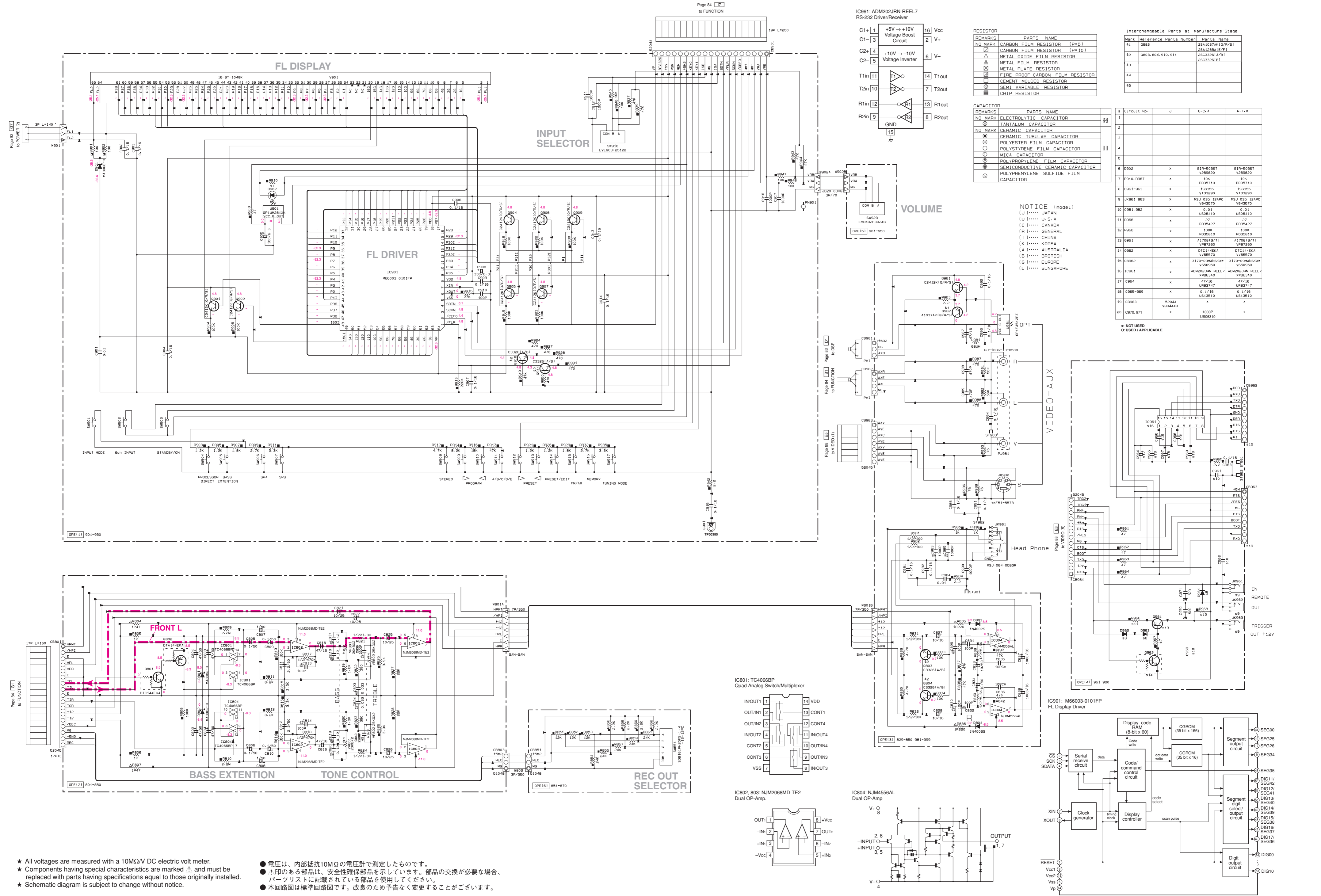
Mark	Reference Parts Number	Parts Name
R1	045-46	2SC28781A/91
R2	D19-21-27-28-52	H55104 1S5133 1S5176
R3	07-9-11-13-15-17	A1837/C4793 A1899A/C4834



- ★ All voltages are measured with a 10MΩ/V DC electric volt meter.
- ★ Components having special characteristics are marked with a triangle (▲) and must be replaced with parts having specifications equal to those originally installed.
- ★ Schematic diagram is subject to change without notice.

- 電圧は、内部抵抗10MΩの電圧計で測定したものです。
- ▲印のある部品は、安全性確保部品を示しています。部品の交換が必要な場合、パーツリストに記載されている部品を使用してください。
- 本回路図は標準回路図です。改良のため予告なく変更することがございます。

SCHEMATIC DIAGRAM (OPERATION) RX-V2300/DSP-AX-2300



RESISTOR

REMARKS	PARTS NAME
NO MARK	CARBON FILM RESISTOR (P=5)
△	CARBON FILM RESISTOR (P=10)
□	METAL OXIDE FILM RESISTOR
◇	METAL FILM RESISTOR
○	FINE GRID CARBON FILM RESISTOR
□	CEMENT MOLDED RESISTOR
◇	SEMI VARIABLE RESISTOR
■	CHIP RESISTOR

Interchangeable Parts at Manufacture Stage

Mark	Reference Parts Number	Parts Name
41	0982	254133741(0/0/51)
42	0803, 804, 910, 911	254123541E(F/1)
43		25C3261A/B/1
44		25C3261B/1
45		

CAPACITOR

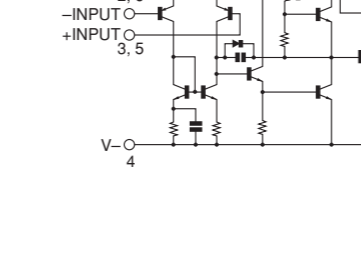
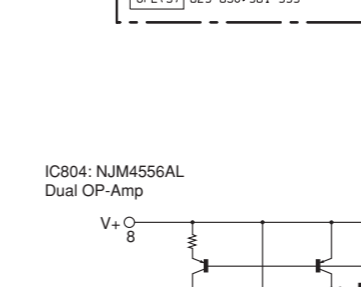
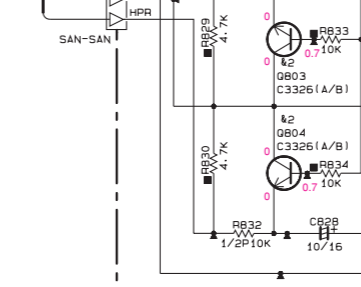
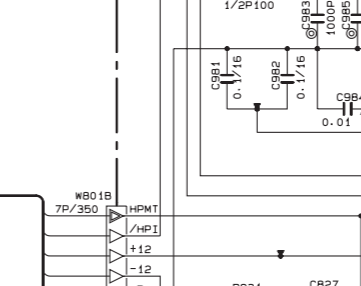
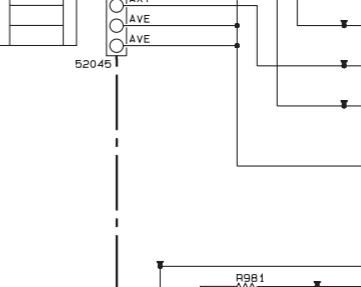
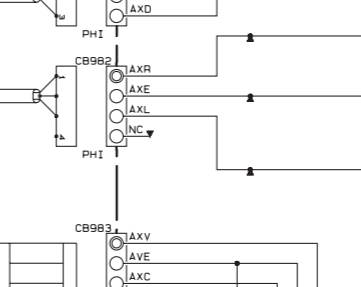
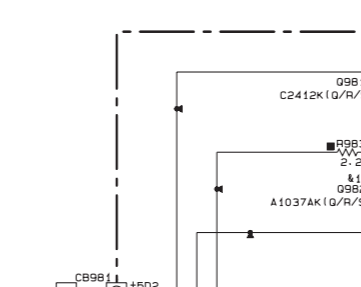
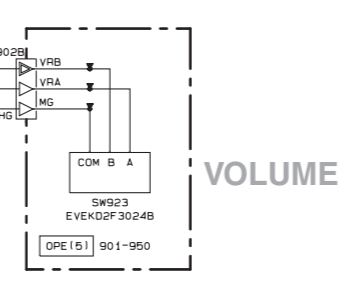
REMARKS	PARTS NAME
NO MARK	ELECTROLYTIC CAPACITOR
⊗	TANTALUM CAPACITOR
○	CERAMIC CAPACITOR
□	CERAMIC TUBULAR CAPACITOR
◇	POLYESTER FILM CAPACITOR
○	POLYSTYRENE FILM CAPACITOR
□	MICA CAPACITOR
◇	POLYPROPYLENE FILM CAPACITOR
○	SEMICONDUCTIVE CERAMIC CAPACITOR
◇	POLYPHENYLENE SULFIDE FILM CAPACITOR

NOTICE (mode1)

(J)..... JAPAN
(U)..... U.S.A
(C)..... CANADA
(R)..... GENERAL
(T)..... CHINA
(K)..... KOREA
(A)..... AUSTRALIA
(B)..... BRITISH
(G)..... EUROPE
(L)..... SINGAPORE

Part No.	U.C.A	R.T.X
1		
2		
3		
4		
5		
6	D902	X
7	R910-R967	X
8	D961-963	X
9	JK961-963	X
10	C961, 962	X
11	R966	X
12	R968	X
13	D961	X
14	D962	X
15	C962	X
16	IC961	X
17	C964	X
18	C965-969	X
19	C963	X
20	C970, 971	X

■ NOT USED
○ USED / APPLICABLE



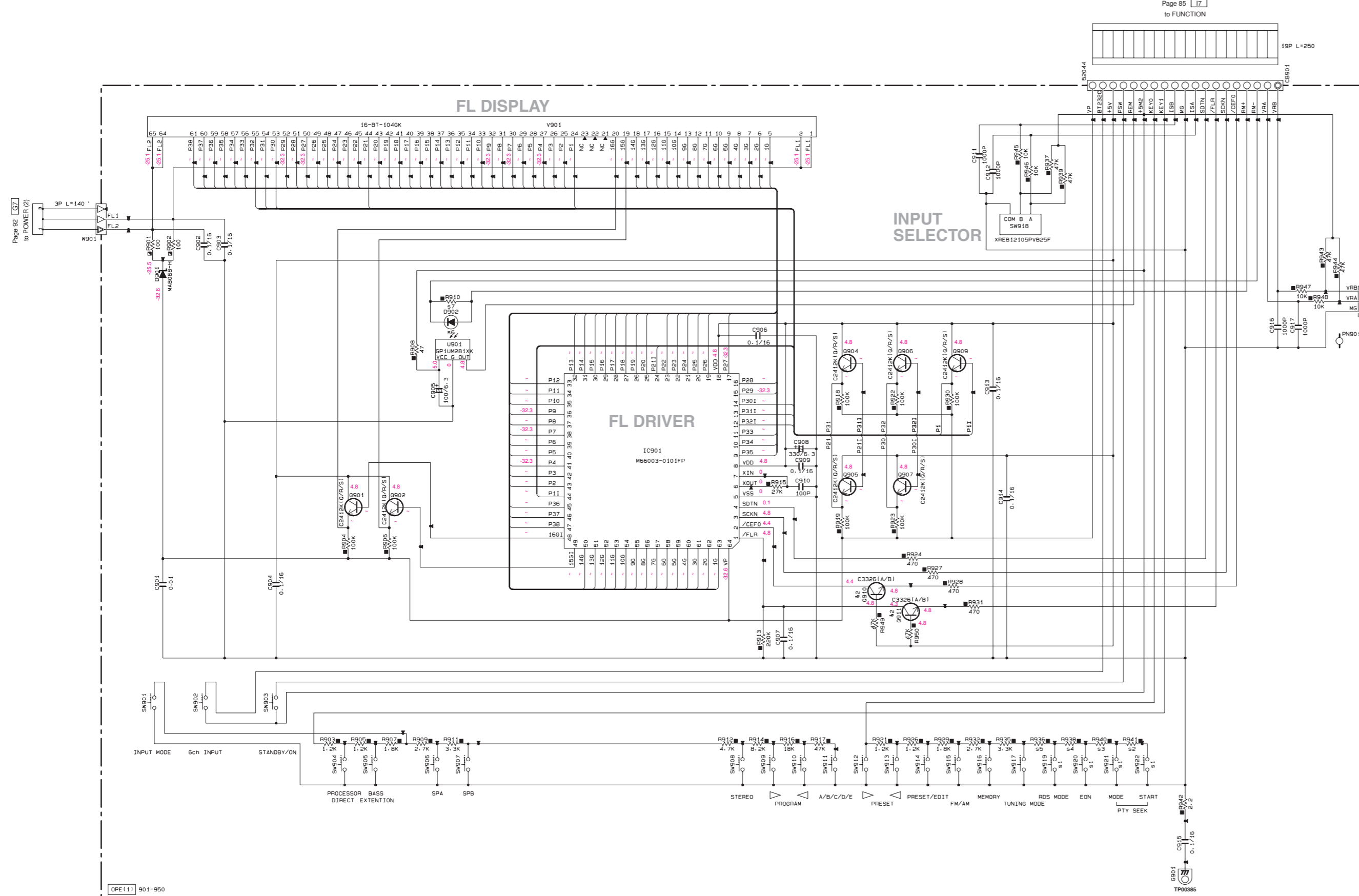
★ All voltages are measured with a 10MΩ/V DC electric volt meter.
★ Components having special characteristics are marked with a triangle and must be replaced with parts having specifications equal to those originally installed.
★ Schematic diagram is subject to change without notice.

● 電圧は、内部抵抗10MΩの電圧計で測定したものです。
● 印のある部品は、安全性確保部品を示しています。部品の交換が必要な場合、パーツリストに記載されている部品を使用してください。
● 本回路図は標準回路図です。改良のため予告なく変更することがございます。

SCHEMATIC DIAGRAM (OPERATION) RX-V1300/RX-V1300RDS/HTR-5590/DSP-AX1300

RX-V2300/DSP-AX2300/RX-V1300/RX-V1300RDS/HTR-5590/DSP-AX1300

Page 85 to FUNCTION



REMARKS	PARTS NAME
NO MARK	CARBON FILM RESISTOR (P=5)
△	CARBON FILM RESISTOR (P=10)
▲	METAL OXIDE FILM RESISTOR
▴	METAL FILM RESISTOR
□	METAL PLATE RESISTOR
▾	FIRE-PROOF CARBON FILM RESISTOR
○	CEMENT MOLDED RESISTOR
◇	SEMI-VARIABLE RESISTOR
■	CHIP RESISTOR

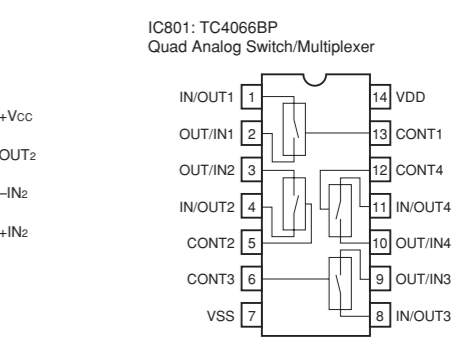
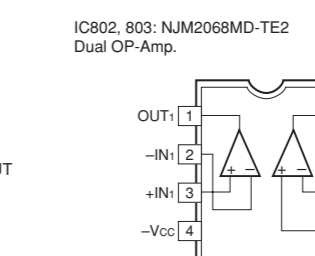
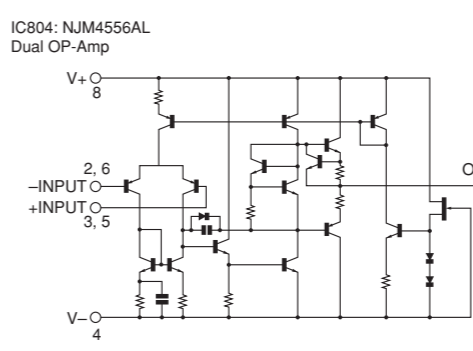
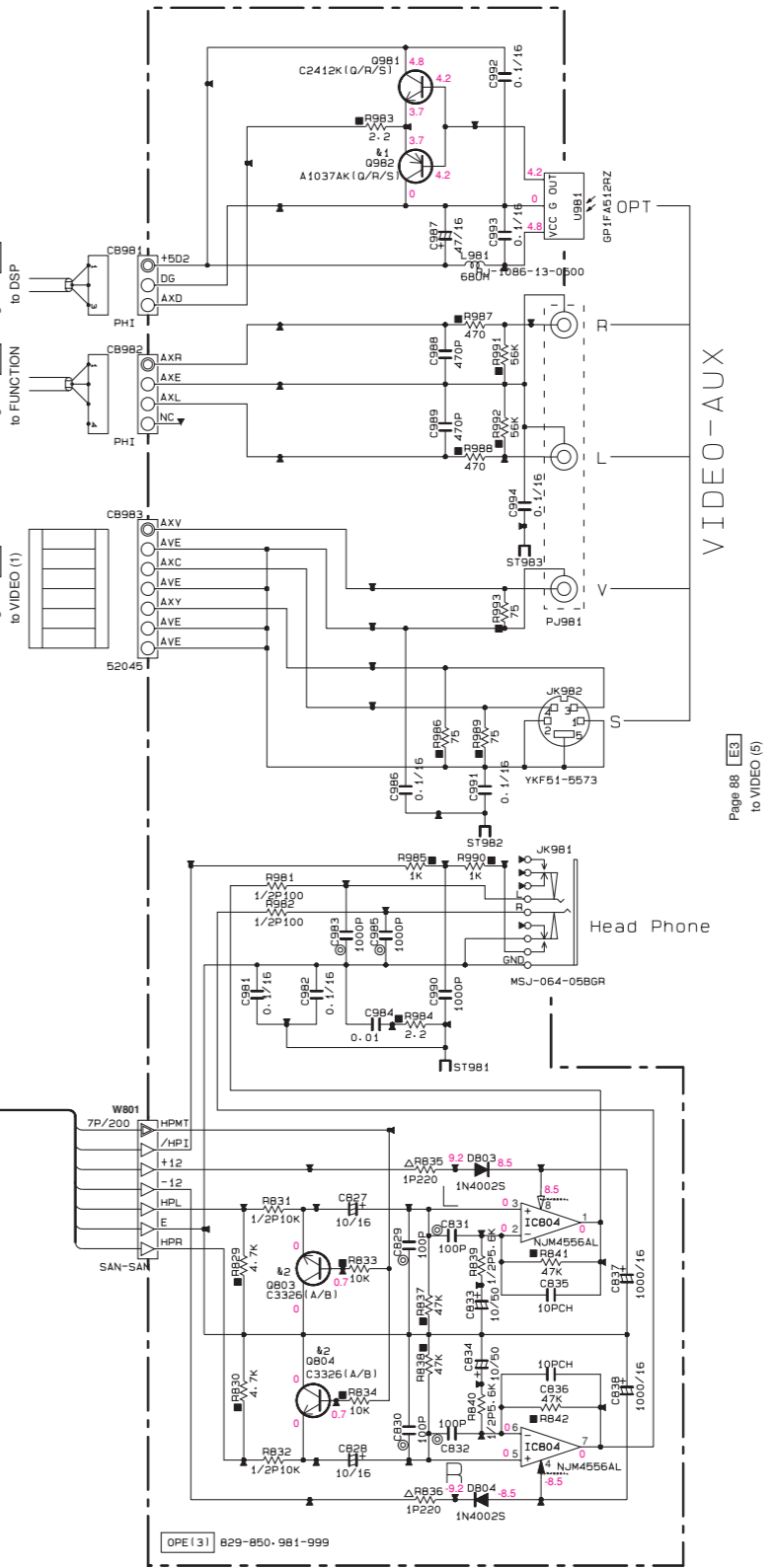
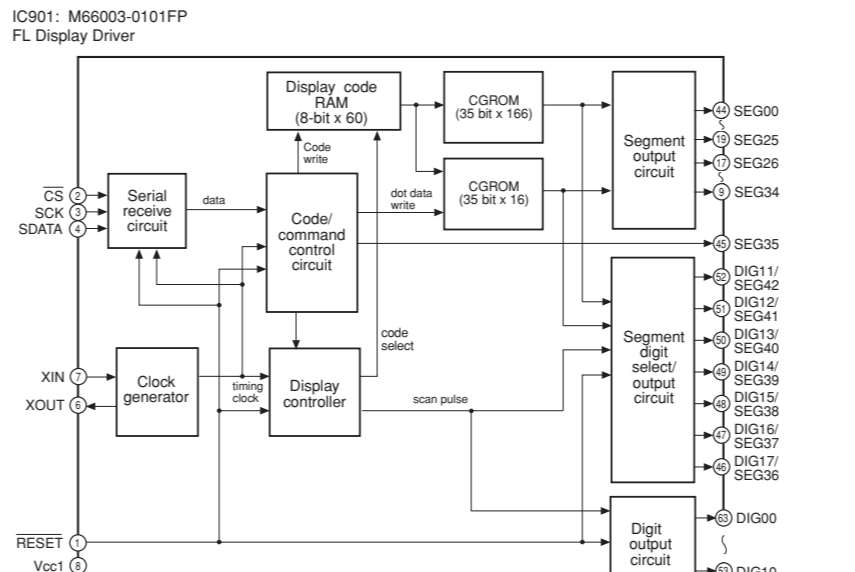
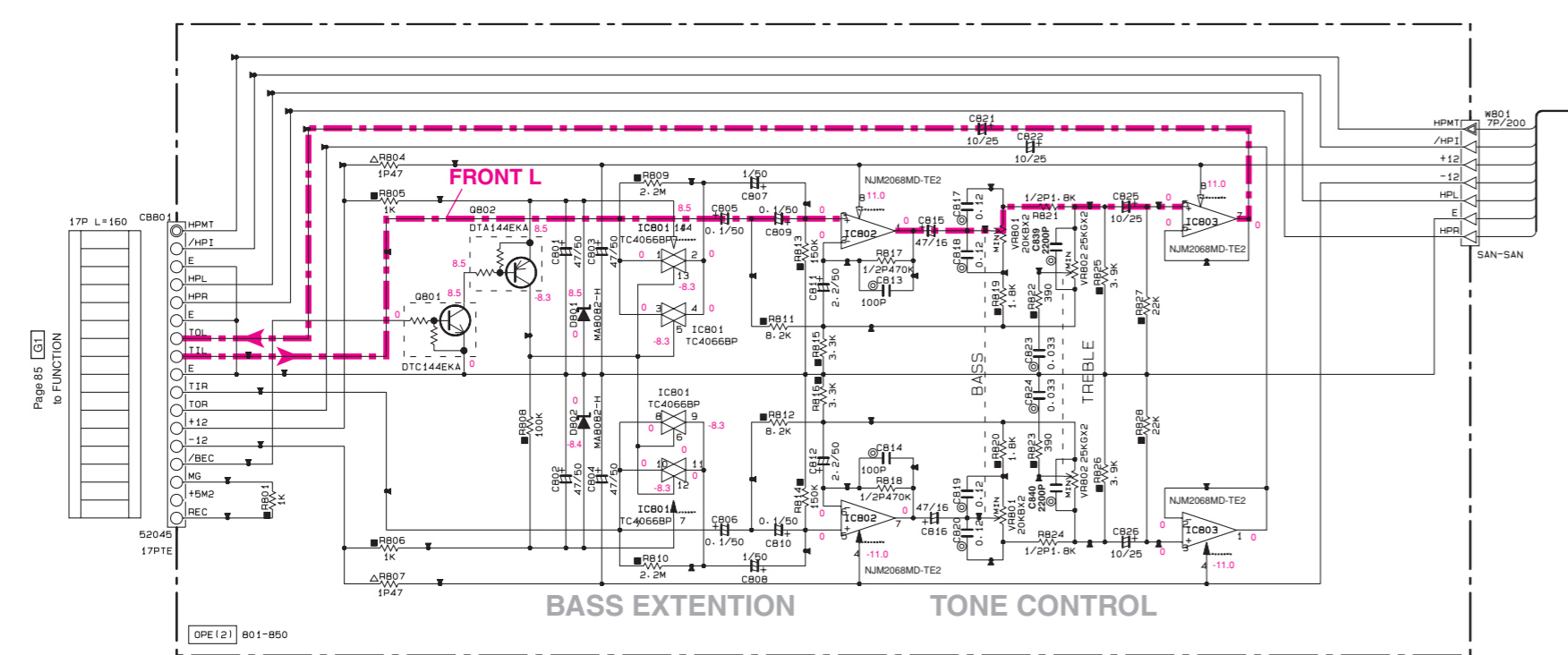
Mark	Reference Parts Number	Parts Name
K1	0982	25A1037AK1G/R/S1
K2	0803.804.910.911	25C1239A1E/F1
K3		25C13261A/R1
K4		25C33261B1
K5		

REMARKS	PARTS NAME
NO MARK	ELECTROLYTIC CAPACITOR
⊗	TANTALUM CAPACITOR
○	CERAMIC CAPACITOR
⊙	CERAMIC TUBULAR CAPACITOR
○	POLYESTER FILM CAPACITOR
○	POLYPROPYLENE FILM CAPACITOR
○	MICA CAPACITOR
○	POLYPROPYLENE FILM CAPACITOR
○	SEMICONDUCTIVE CERAMIC CAPACITOR
○	POLYPHENYLENE SULFIDE FILM CAPACITOR

Mark	Circuit No.	J-R-T-K	U-C-A	B-G
1	SW19-922	X	X	V475710
2	R941	X	X	47K RD36747
3	R940	X	X	18K RD35719
4	R938	X	X	5.2K RD35682
5	R936	X	X	4.7K RD35647
6	D902	X	S1R-5085T V259820	X
7	R910-R967	X	10K RD35710	X
8	D961-963	X	153395 Y133950	X
9	JK961-963	X	MSJ-036-1242C V943570	X
10	C961-C962	X	100P US06410	X
11	R966	X	27 RD35427	X
12	R968	X	100K RD35810	X
13	D961	X	A170815/771 V97860	X
14	D962	X	OTC14EKA VV69570	X
15	C970, 971	X	100P US06310	X

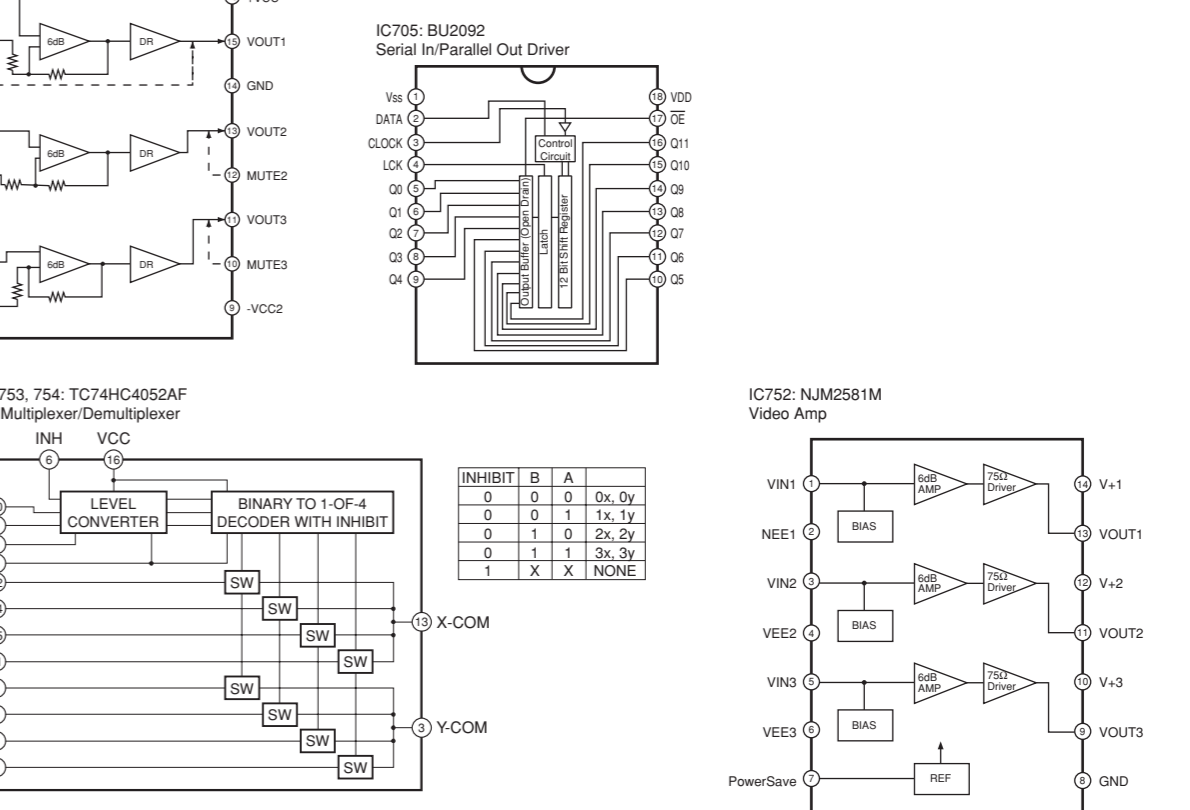
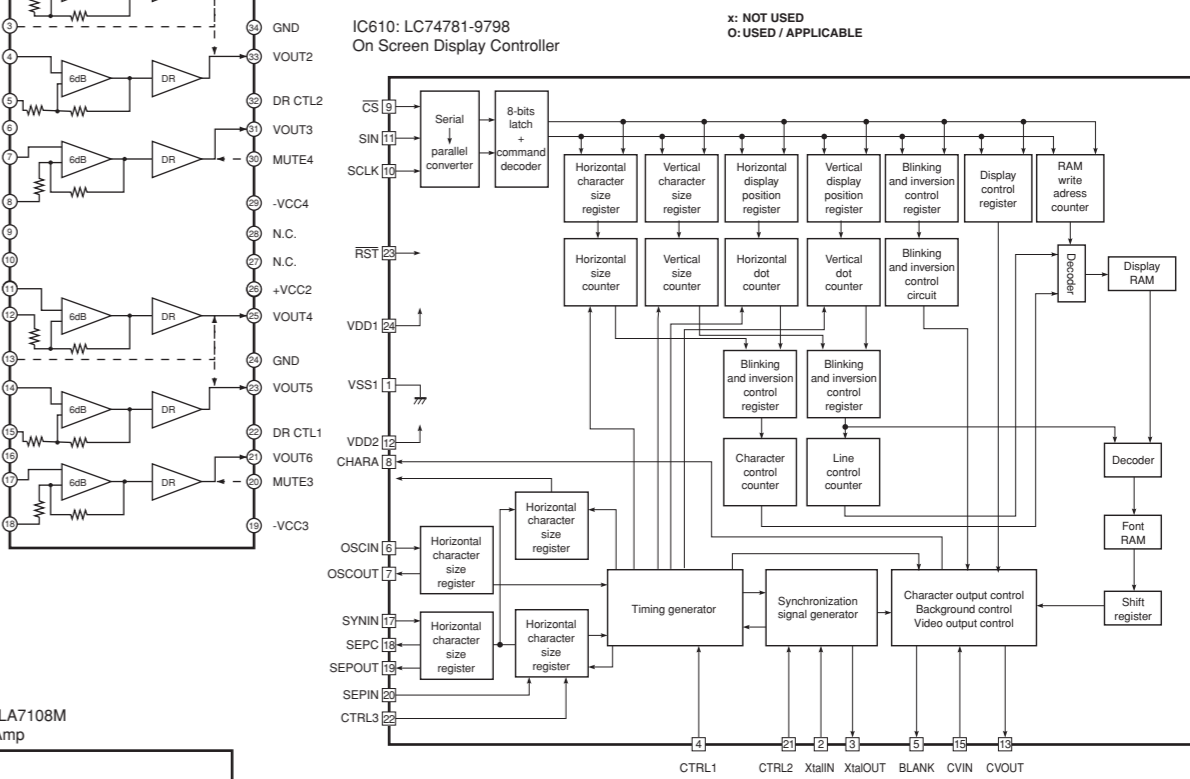
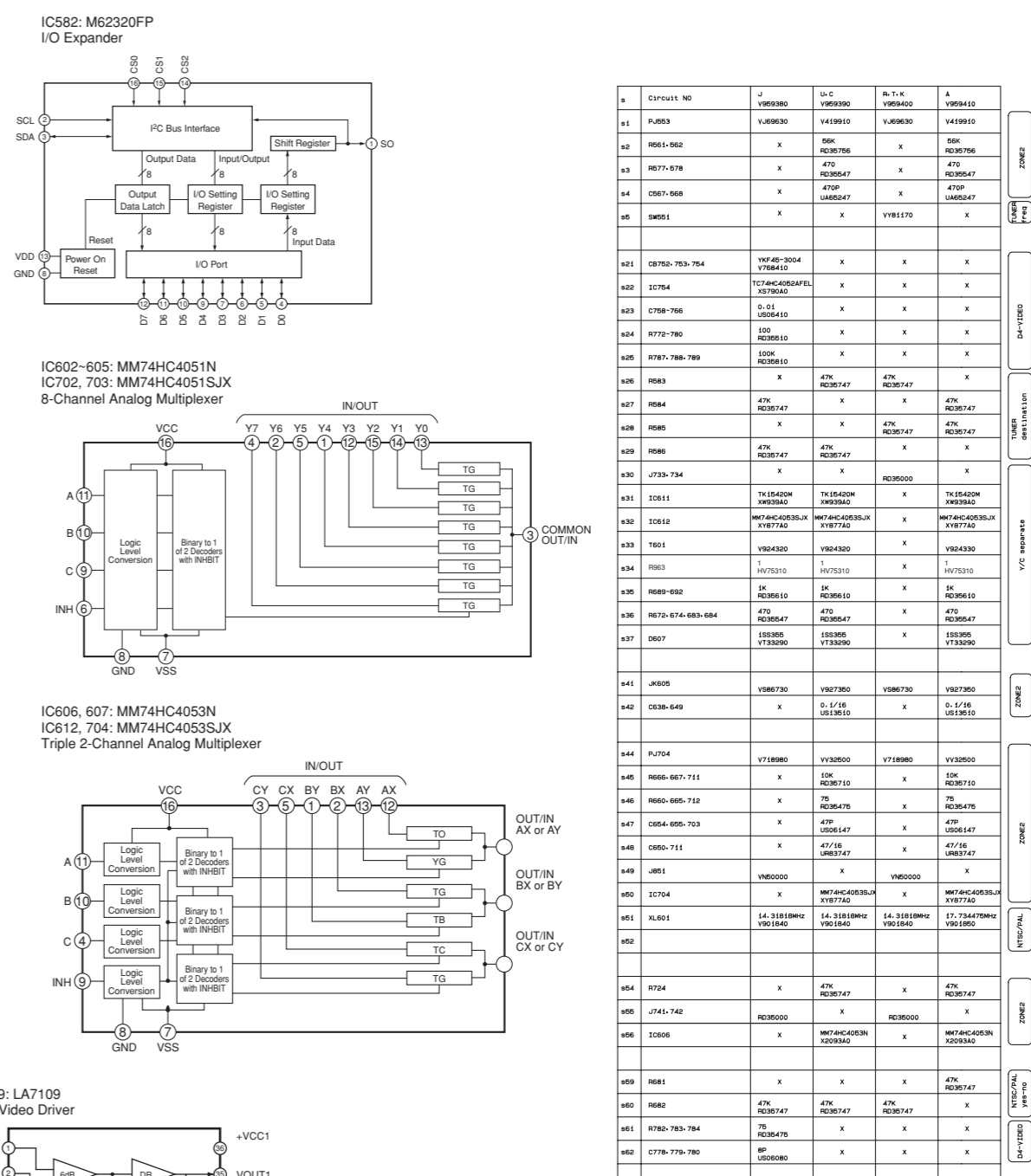
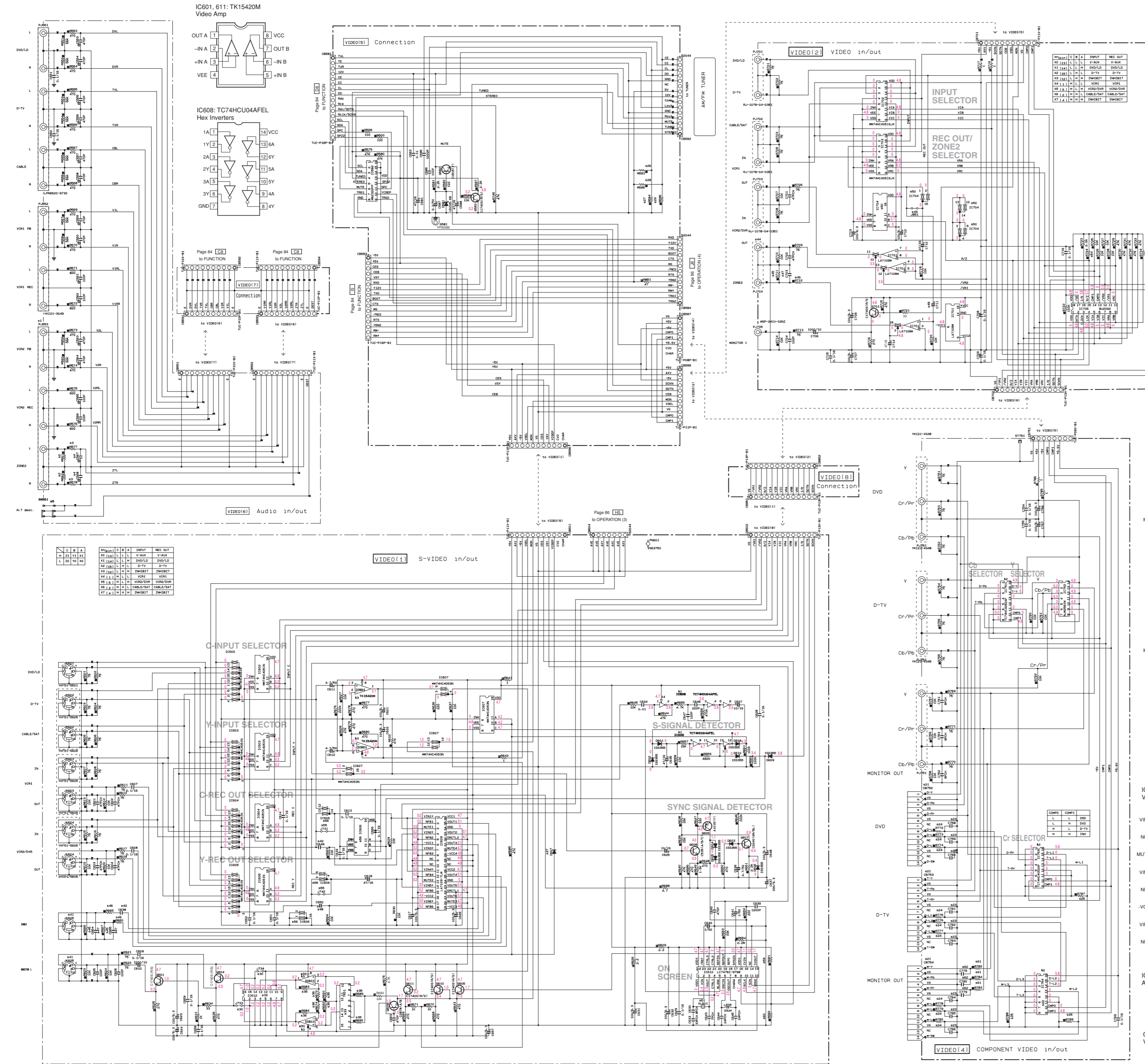
X: NOT USED
O: USED / APPLICABLE

NOTICE (model)
(J)..... JAPAN
(U)..... U.S.A
(C)..... CANADA
(R)..... GENERAL
(T)..... CHINA
(K)..... KOREA
(A)..... AUSTRALIA
(B)..... BRITISH
(G)..... EUROPE
(L)..... SINGAPORE



- ★ All voltages are measured with a 10MΩ/V DC electric volt meter.
- ★ Components having special characteristics are marked △ and must be replaced with parts having specifications equal to those originally installed.
- ★ Schematic diagram is subject to change without notice.
- 電圧は、内部抵抗10MΩの電圧計で測定したものです。
- △印のある部品は、安全性確保部品を示しています。部品の交換が必要な場合、パーツリストに記載されている部品を使用してください。
- 本回路図は標準回路図です。改良のため予告なく変更することがございます。

SCHEMATIC DIAGRAM (VIDEO) RX-V2300/DSP-AX-2300



IC	Part No.	Symbol	U.C.	U.S.A.	U.K.	U.S.A.
1	IC101	LA7108M	X	X	X	X
2	IC102	LA7109	X	X	X	X
3	IC103	LA7110	X	X	X	X
4	IC104	LA7111	X	X	X	X
5	IC105	LA7112	X	X	X	X
6	IC106	LA7113	X	X	X	X
7	IC107	LA7114	X	X	X	X
8	IC108	LA7115	X	X	X	X
9	IC109	LA7116	X	X	X	X
10	IC110	LA7117	X	X	X	X
11	IC111	LA7118	X	X	X	X
12	IC112	LA7119	X	X	X	X
13	IC113	LA7120	X	X	X	X
14	IC114	LA7121	X	X	X	X
15	IC115	LA7122	X	X	X	X
16	IC116	LA7123	X	X	X	X
17	IC117	LA7124	X	X	X	X
18	IC118	LA7125	X	X	X	X
19	IC119	LA7126	X	X	X	X
20	IC120	LA7127	X	X	X	X
21	IC121	LA7128	X	X	X	X
22	IC122	LA7129	X	X	X	X
23	IC123	LA7130	X	X	X	X
24	IC124	LA7131	X	X	X	X
25	IC125	LA7132	X	X	X	X
26	IC126	LA7133	X	X	X	X
27	IC127	LA7134	X	X	X	X
28	IC128	LA7135	X	X	X	X
29	IC129	LA7136	X	X	X	X
30	IC130	LA7137	X	X	X	X
31	IC131	LA7138	X	X	X	X
32	IC132	LA7139	X	X	X	X
33	IC133	LA7140	X	X	X	X
34	IC134	LA7141	X	X	X	X
35	IC135	LA7142	X	X	X	X
36	IC136	LA7143	X	X	X	X
37	IC137	LA7144	X	X	X	X
38	IC138	LA7145	X	X	X	X
39	IC139	LA7146	X	X	X	X
40	IC140	LA7147	X	X	X	X
41	IC141	LA7148	X	X	X	X
42	IC142	LA7149	X	X	X	X
43	IC143	LA7150	X	X	X	X
44	IC144	LA7151	X	X	X	X
45	IC145	LA7152	X	X	X	X
46	IC146	LA7153	X	X	X	X
47	IC147	LA7154	X	X	X	X
48	IC148	LA7155	X	X	X	X
49	IC149	LA7156	X	X	X	X
50	IC150	LA7157	X	X	X	X
51	IC151	LA7158	X	X	X	X
52	IC152	LA7159	X	X	X	X
53	IC153	LA7160	X	X	X	X
54	IC154	LA7161	X	X	X	X
55	IC155	LA7162	X	X	X	X
56	IC156	LA7163	X	X	X	X
57	IC157	LA7164	X	X	X	X
58	IC158	LA7165	X	X	X	X
59	IC159	LA7166	X	X	X	X
60	IC160	LA7167	X	X	X	X
61	IC161	LA7168	X	X	X	X
62	IC162	LA7169	X	X	X	X
63	IC163	LA7170	X	X	X	X
64	IC164	LA7171	X	X	X	X
65	IC165	LA7172	X	X	X	X
66	IC166	LA7173	X	X	X	X
67	IC167	LA7174	X	X	X	X
68	IC168	LA7175	X	X	X	X
69	IC169	LA7176	X	X	X	X
70	IC170	LA7177	X	X	X	X
71	IC171	LA7178	X	X	X	X
72	IC172	LA7179	X	X	X	X
73	IC173	LA7180	X	X	X	X
74	IC174	LA7181	X	X	X	X
75	IC175	LA7182	X	X	X	X
76	IC176	LA7183	X	X	X	X
77	IC177	LA7184	X	X	X	X
78	IC178	LA7185	X	X	X	X
79	IC179	LA7186	X	X	X	X
80	IC180	LA7187	X	X	X	X
81	IC181	LA7188	X	X	X	X
82	IC182	LA7189	X	X	X	X
83	IC183	LA7190	X	X	X	X
84	IC184	LA7191	X	X	X	X
85	IC185	LA7192	X	X	X	X
86	IC186	LA7193	X	X	X	X
87	IC187	LA7194	X	X	X	X
88	IC188	LA7195	X	X	X	X
89	IC189	LA7196	X	X	X	X
90	IC190	LA7197	X	X	X	X
91	IC191	LA7198	X	X	X	X
92	IC192	LA7199	X	X	X	X
93	IC193	LA7200	X	X	X	X
94	IC194	LA7201	X	X	X	X
95	IC195	LA7202	X	X	X	X
96	IC196	LA7203	X	X	X	X
97	IC197	LA7204	X	X	X	X
98	IC198	LA7205	X	X	X	X
99	IC199	LA7206	X	X	X	X
100	IC200	LA7207	X	X	X	X

★ All voltages are measured with a 10MΩ/V DC electric volt meter.
 ★ Components having special characteristics are marked Δ and must be replaced with parts having specifications equal to those originally installed.
 ★ Schematic diagram is subject to change without notice.

● 電圧は、内部抵抗10MΩの電圧計で測定したものです。
 ● Δ 印のある部品は、安全性確保部品を示しています。部品の交換が必要な場合、パーツリストに記載されている部品を使用してください。
 ● 本回路図は標準回路図です。改良のため予告なく変更することがございます。

REMARKS	PARTS NAME	REMARKS	PARTS NAME
NO NAME CARBON FILM RESISTOR (PWS)	RES	NO NAME ELECTROLYTIC CAPACITOR	CAP
CARBON FILM RESISTOR (EP10)	RES	TANTALUM CAPACITOR	CAP
METAL OXIDE FILM RESISTOR	RES	NO NAME CERAMIC CAPACITOR	CAP
METAL FILM RESISTOR	RES	CERAMIC TUBULAR CAPACITOR	CAP
POLYESTER FILM CAPACITOR	CAP	POLYESTER FILM CAPACITOR	CAP
FUSE PROOF CARBON FILM RESISTOR	RES	POLYPROPYLENE FILM CAPACITOR	CAP
NO NAME CERAMIC CAPACITOR	CAP	MICA CAPACITOR	CAP
CERAMIC TUBULAR CAPACITOR	CAP	POLYPROPYLENE FILM CAPACITOR	CAP
POLYESTER FILM CAPACITOR	CAP	CHIP RESISTOR	RES

REMARKS	PARTS NAME	REMARKS	PARTS NAME
NO NAME CARBON FILM RESISTOR (PWS)	RES	NO NAME ELECTROLYTIC CAPACITOR	CAP
CARBON FILM RESISTOR (EP10)	RES	TANTALUM CAPACITOR	CAP
METAL OXIDE FILM RESISTOR	RES	NO NAME CERAMIC CAPACITOR	CAP
METAL FILM RESISTOR	RES	CERAMIC TUBULAR CAPACITOR	CAP
POLYESTER FILM CAPACITOR	CAP	POLYESTER FILM CAPACITOR	CAP
FUSE PROOF CARBON FILM RESISTOR	RES	POLYPROPYLENE FILM CAPACITOR	CAP
NO NAME CERAMIC CAPACITOR	CAP	MICA CAPACITOR	CAP
CERAMIC TUBULAR CAPACITOR	CAP	POLYPROPYLENE FILM CAPACITOR	CAP
POLYESTER FILM CAPACITOR	CAP	CHIP RESISTOR	RES

REMARKS	PARTS NAME	REMARKS	PARTS NAME
NO NAME CARBON FILM RESISTOR (PWS)	RES	NO NAME ELECTROLYTIC CAPACITOR	CAP
CARBON FILM RESISTOR (EP10)	RES	TANTALUM CAPACITOR	CAP
METAL OXIDE FILM RESISTOR	RES	NO NAME CERAMIC CAPACITOR	CAP
METAL FILM RESISTOR	RES	CERAMIC TUBULAR CAPACITOR	CAP
POLYESTER FILM CAPACITOR	CAP	POLYESTER FILM CAPACITOR	CAP
FUSE PROOF CARBON FILM RESISTOR	RES	POLYPROPYLENE FILM CAPACITOR	CAP
NO NAME CERAMIC CAPACITOR	CAP	MICA CAPACITOR	CAP
CERAMIC TUBULAR CAPACITOR	CAP	POLYPROPYLENE FILM CAPACITOR	CAP
POLYESTER FILM CAPACITOR	CAP	CHIP RESISTOR	RES

REMARKS	PARTS NAME	REMARKS	PARTS NAME
NO NAME CARBON FILM RESISTOR (PWS)	RES	NO NAME ELECTROLYTIC CAPACITOR	CAP
CARBON FILM RESISTOR (EP10)	RES	TANTALUM CAPACITOR	CAP
METAL OXIDE FILM RESISTOR	RES	NO NAME CERAMIC CAPACITOR	CAP
METAL FILM RESISTOR	RES	CERAMIC TUBULAR CAPACITOR	CAP
POLYESTER FILM CAPACITOR	CAP	POLYESTER FILM CAPACITOR	CAP
FUSE PROOF CARBON FILM RESISTOR	RES	POLYPROPYLENE FILM CAPACITOR	CAP
NO NAME CERAMIC CAPACITOR	CAP	MICA CAPACITOR	CAP
CERAMIC TUBULAR CAPACITOR	CAP	POLYPROPYLENE FILM CAPACITOR	CAP
POLYESTER FILM CAPACITOR	CAP	CHIP RESISTOR	RES

NOTICE (model)
 (U).....U.S.A.
 (C).....CANADA
 (S).....GENERAL
 (T).....CHINA
 (K).....KOREA
 (A).....AUSTRALIA
 (B).....BRITISH
 (E).....EUROPE
 (L).....SINGAPORE

